



Zebra®
iMZ™ Series
Mobile Printers

User Guide



Table of Contents

Proprietary Statements	4
Document Conventions	6
Introduction to the iMZ Series	7
Unpacking and Inspection	7
Reporting Damage	7
Getting Ready to Print	9
Battery	9
Installing and Removing the Battery	9
iMZ Series Quad Power Station	13
Battery Safety	14
Charger Safety	14
Loading the Media (All models)	15
Using Pre-Printed Receipt Media	16
Operator Controls	18
Normal Boot-up LED Behavior	20
Diagnostic (Two key) Report LED Behavior	20
Forced Download Description and LED Behavior	21
Rebooting After a Firmware Download or Forced Firmware Download (Description and LED Behavior)	22
Shutting Down LED Sequence	22
Communication (Blue) LED Behavior	22
Verify the Printer Is Working	23
Printing a Configuration Label	23
Cable Communication	24
Wireless Communications with Bluetooth®	26
Bluetooth® Personal Area Network (PAN)	26
Bluetooth® Connections	26
Bluetooth pairing requiring Man-In-The-Middle (MITM) protection	27
Connecting to Apple Devices	28
WLAN Overview	29
Setting Up the Software	29
Wearing the Printer	30
Belt Clip	30
Adjustable Shoulder Strap	31
Preventive Maintenance	32
Extending Battery Life	32
General Cleaning Instructions	33
Troubleshooting	35
Interpreting Indicators	35
Troubleshooting Topics	35
Resetting an iMZ Series Printer	37
Information On Back Of Printer	37
Troubleshooting Tests	38
Printing a Configuration Label	38
Communications Diagnostics	38
Calling Technical Support	39
Specifications	42
Printing Specifications	42

continued

Memory and Communications Specifications, iMZ series.....	42
Media Specifications	42
ZPL Bar Code Specifications and Commands	43
CPCL and ZPL Font Specifications	44
Fonts	44
Matrix (in dots) (HxW).....	44
Min. Char. Size (HxW)	44
Max. CPI.....	44
Font.....	45
Matrix (in dots) (HxW).....	45
Type*	45
Min. Char. Size (HxW)	45
Max. C.P.I.....	45
USB Communications Port	46
Pin#	46
Signal Name	46
Type	46
Description	46
Physical, Environmental and Electrical Specifications	46
iMZ Series Accessories	48
Appendix A	49
Interface Cables.....	49
USB Cable.....	49
More Interface Cables	49
Appendix B.....	50
Media Supplies.....	50
iMZ Series Media	50
Appendix C	51
Battery Disposal	51
Product Disposal	51
Appendix D.....	52
Product Support.....	52
Product Support Contacts	53
Appendix E.....	54
Using zebra.com.....	54
Index.....	56
Patent Numbers	57

Proprietary Statements

This manual contains proprietary information of Zebra Technologies Corporation. It is intended solely for the information and use of parties operating and maintaining the equipment described herein. Such proprietary information may not be used, reproduced, or disclosed to any other parties for any other purpose without the expressed written permission of Zebra Technologies Corporation.

Product Improvements

Since continuous product improvement is a policy of Zebra Technologies Corporation, all specifications and signs are subject to change without notice.

Agency Approvals and Regulatory Information

- Design certified by TUV
- Canadian STD RSS-210
- EN60950: 2006 Safety Standard
- C-Tick (Australia)
- FCC part 15 Class B
- EN55024:2003 European Immunity Standard
- NOM (Mexico)
- EN55022:2006 Class B European Electromagnetic Radiation Standard

Liability Disclaimer

Inasmuch as every effort has been made to supply accurate information in this manual, Zebra Technologies Corporation is not liable for any erroneous information or omissions. Zebra Technologies Corporation reserves the right to correct any such errors and disclaims liability resulting therefrom.

No Liability for Consequential Damage

In no event shall Zebra Technologies Corporation or anyone else involved in the creation, production, or delivery of the accompanying product (including hardware and software) be liable for any damages whatsoever (including, without limitation, damages for loss of business profits, business interruption, loss of business information, or other pecuniary loss) arising out of the use of or the results of use of or inability to use such product, even if Zebra Technologies Corporation has been advised of the possibility of such damages. Because some states do not allow the exclusion of liability for consequential or incidental damages, the above limitation may not apply to you.

Copyrights

The copyrights in this manual and the label print engine described therein are owned by Zebra Technologies Corporation. Unauthorized reproduction of this manual or the software in the label print engine may result in imprisonment of up to one year and fines of up to \$10,000 (17 U.S.C.506). Copyright violators may be subject to civil liability.

This product may contain ZPL®, ZPL II®, and ZebraLink™ programs; Element Energy Equalizer® Circuit; E3®; and AGFA fonts. Software © ZIH Corp. All rights reserved worldwide. ZebraLink and all product names and numbers are trademarks, and Zebra, the Zebra logo, ZPL, ZPL II, Element Energy Equalizer Circuit, and E3 Circuit are registered trademarks of ZIH Corp. All rights reserved worldwide.

Monotype®, Intellifont® and UFST® are trademarks of Monotype Imaging, Inc. registered in the United States Patent and Trademark Office and may be registered in certain jurisdictions.

Andy™, CG Palacio™, CG Century Schoolbook™, CG Triumvirate™, CG Times™, Monotype Kai™, Monotype Mincho™ and Monotype Sung™ are trademarks of Monotype Imaging, Inc. and may be registered in some jurisdictions.

HY Gothic Hangul™ is a trademark of Hanyang Systems, Inc.

Angsana™ is a trademark of Unity Progress Company (UPC) Limited.

Andale®, Arial®, Book Antiqua®, Corsiva®, Gill Sans®, Sorts® and Times New Roman® are trademarks of The Monotype Corporation registered in the United States Patent and Trademark Office and may be registered in certain jurisdictions.

Century Gothic™, Bookman Old Style™ and Century Schoolbook™ are trademarks of The Monotype Corporation and may be registered in certain jurisdictions.

HGPGothicB is a trademark of the Ricoh company, Ltd. and may be registered in some jurisdictions.

continued

Univers™ is a trademark of Heidelberger Druckmaschinen AG, which may be registered in certain jurisdictions, exclusively licensed through Linotype Library GmbH, a wholly owned subsidiary of Heidelberger Druckmaschinen AG.

Futura® is a trademark of Bauer Types SA registered in the United States Patent and Trademark Office and may be registered in some jurisdictions.

TrueType® is a trademark of Apple Computer, Inc. registered in the United States Patent and Trademark Office and may be registered in certain jurisdictions.

All other product names are the property of their respective owners.

© 1996–2009, QNX Software Systems GmbH & Co. KG. All rights reserved. Published under license by QNX Software Systems Co.

All other brand names, product names, or trademarks belong to their respective holders.

©2012 ZIH Corp.

Document Conventions

The following conventions are used throughout this document to convey certain information:

If you are viewing this guide online, click the underlined text to jump to a related Web site. Click on italic text (not underlined) to jump to that location in this manual.

Cautions, Important, and Note



Caution • Warns you of the potential for electrostatic discharge.



Caution • Warns you of a potential electric shock situation.



Caution • Warns you of a situation where excessive heat could cause a burn.



Caution • Advises you that failure to take or avoid a specific action could result in physical harm to you.

Caution • Advises you that failure to take or avoid a specific action could result in physical harm to the hardware.



Important • Advises you of information that is essential to complete a task.



Note • Indicates neutral or positive information that emphasizes or supplements important points of the main text.

Introduction to the iMZ Series

Thank you for choosing our Zebra® iMZ™ Series Mobile Printers. These rugged printers will surely become productive and efficient additions to your workplace thanks to their innovative design. Zebra Technologies is the leader in industrial printers with world-class support for all of your bar code printers, software, and supplies.

This user's guide gives you the information you will need to operate the iMZ320 and iMZ220 printers. These printers use CPCL and ZPL programming languages. To create and print labels using the CPCL and ZPL languages, refer to the Mobile Printing Systems CPCL Programming Manual and ZPL Programming Guide (See Appendix G for instructions on how to access manuals.)

iMZ Series Software Utilities:

- Zebra Net Bridge™ : printer configuration, fleet management
- Zebra Setup Utility: single printer configuration, quick setup
- Zebra Designer Pro: label design
- Zebra Designer Drivers: Windows® driver
- OPOS Driver: Windows driver
- Multiplatform SDK
- Zebra Downloader

(These utilities can be found on the product CD that comes with the printer and at www.zebra.com . See Appendix F.)

Unpacking and Inspection

- Check all exterior surfaces for damage.
- Open the media cover (refer to "Loading the Media" in the Getting Ready to Print section) and inspect the media compartment for damage.

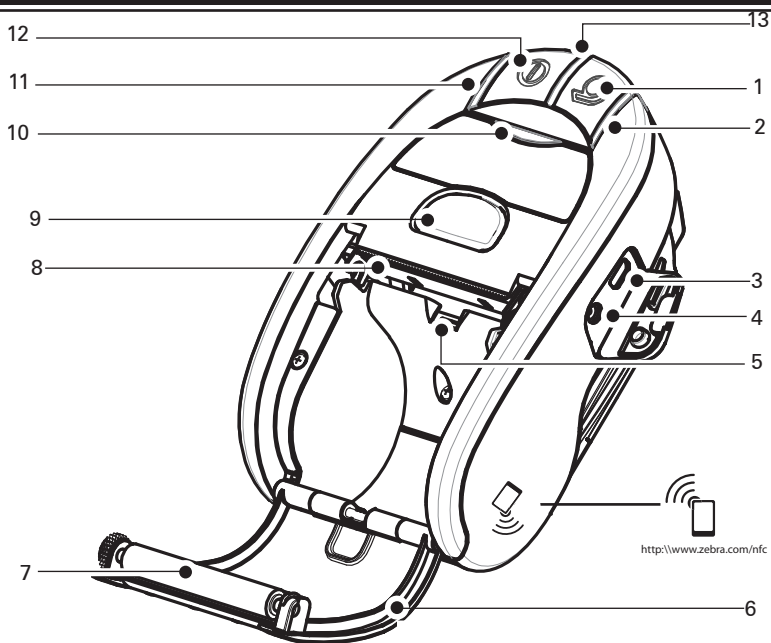
In case shipping is required, save the carton and all packing material.

Reporting Damage

If you discover shipping damage:

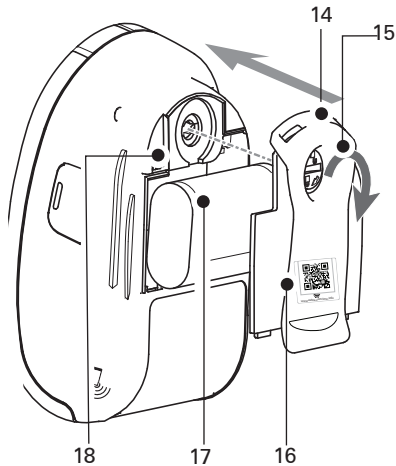
- Immediately notify and file a damage report with the shipping company. Zebra Technologies Corporation is not responsible for any damage incurred during shipment of the printer and will not cover the repair of this damage under its warranty policy.
- Keep the carton and all packing material for inspection.
- Notify your authorized Zebra re-seller.

Figure 1: iMZ Series Overview (iMZ220 Illustrated)



Note: Tapping the Zebra Print Touch™ icon with a Near Field Communication (NFC) enabled smartphone will provide instant access to printer-specific information. For more information about NFC and Zebra products, go to <http://www.zebra.com/nfc>. Bluetooth pairing applications via NFC is also possible. Please see Zebra Multiplatform SDK for more information.

1. Feed Switch
2. Media Status Light
3. USB Port
4. Battery Charging Receptacle
5. Media/Black Bar Sensor
6. Media Cover
7. Platen
8. Printhead
9. Latch Release Button
10. Communications Status Indicator
11. Charge Status Indicator
12. Power Switch
13. Power Indicator
14. Belt Clip
15. Battery Door Latch
16. Battery Compartment Cover
17. Battery Pack
18. External Charge Contacts



Getting Ready to Print

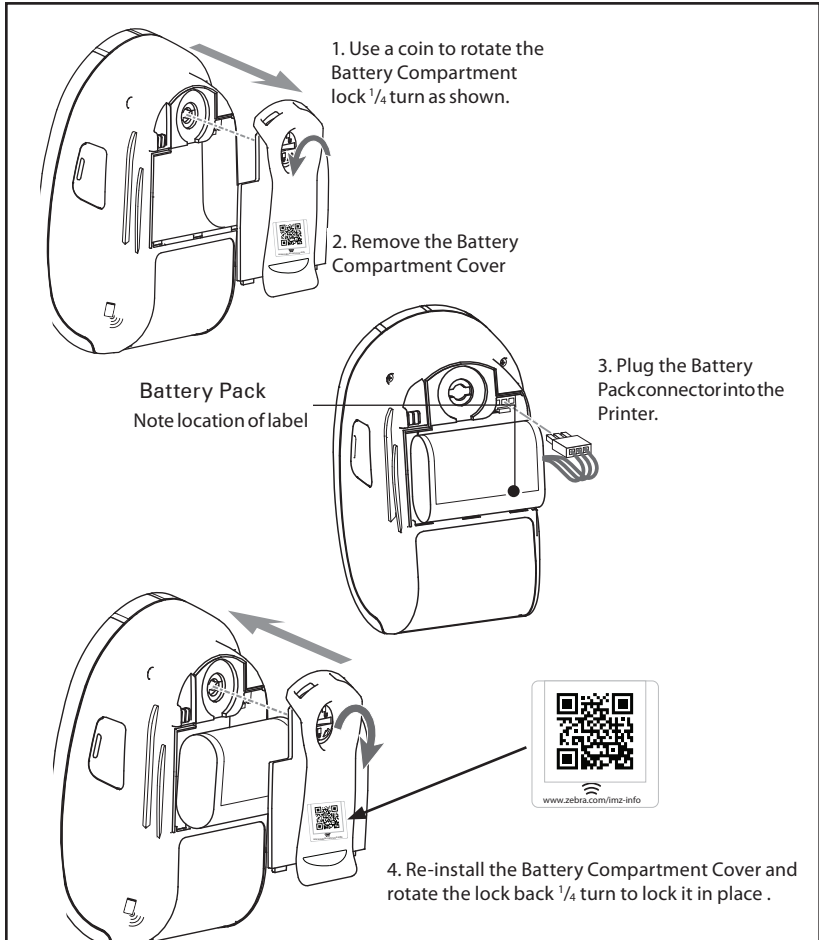
Battery

Installing and Removing the Battery



Important • Batteries are shipped partially charged. Remove any protective packaging from new battery packs prior to use.

Figure 2.1: Installing the Battery

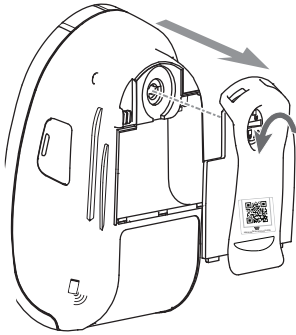


Note: Scanning the QR code with a smartphone will provide printer-specific information at www.zebra.com/imz-info.



Ensure the battery leads are not pinched prior to replacing the battery cover.

Figure 2.2: Removing the Battery



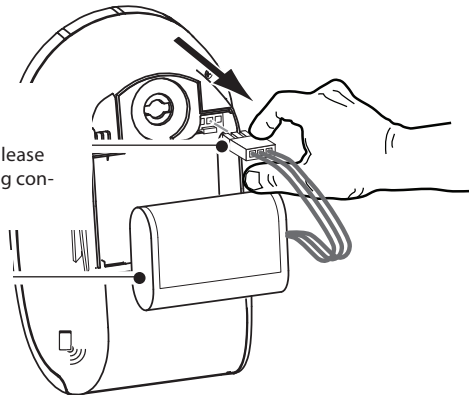
1. Use a coin to rotate the Battery Compartment lock $\frac{1}{4}$ turn as shown.

2. Remove the Battery Compartment Cover

Battery Pack Connector

Squeeze lock to release before unplugging connector.

3. Lift Battery pack free from the printer.



Always release the locking barb before unplugging the battery connector. Do not attempt to remove the connector by force, or by using pliers, etc. as this could cause damage to the printer's CPU assembly.

4. Install a replacement battery by following the procedure described in Figure 2.1

When the battery is first installed, the printer power and charge indicators should indicate the battery is not fully charged (see “Charging the Battery” below and “Operator Controls”).



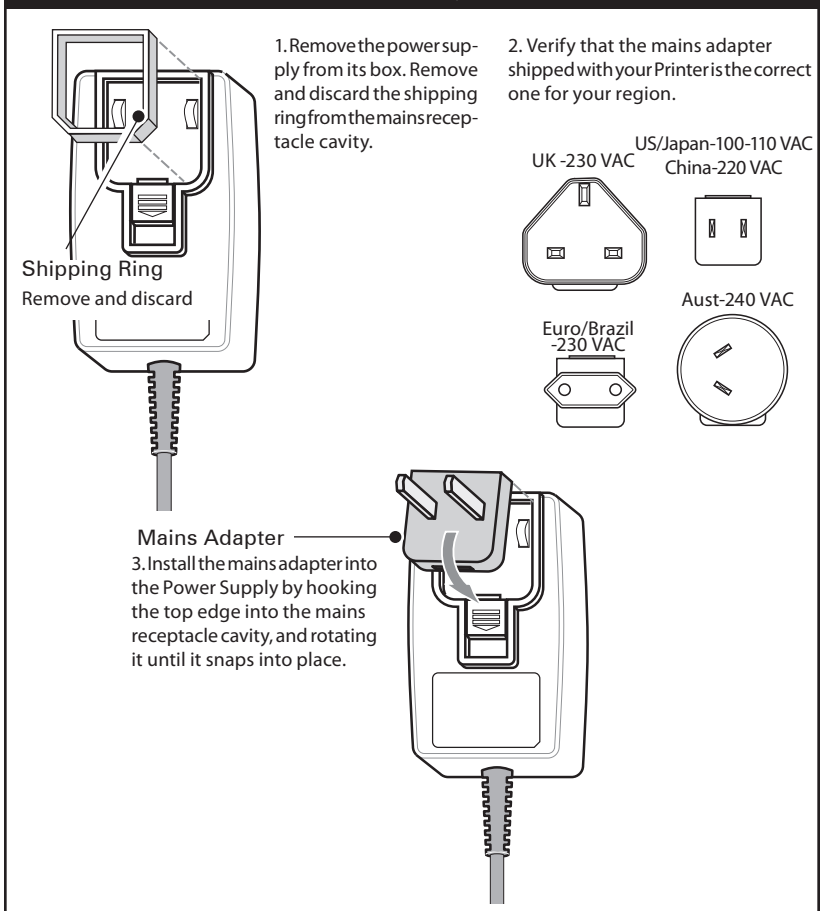
You must charge the battery fully before using the printer for the first time.

Charging the Battery

Preparing the Charger Power Supply

Before charging the battery for the first time, you must prepare the Charger Power Supply. Refer to Figure 3 below:

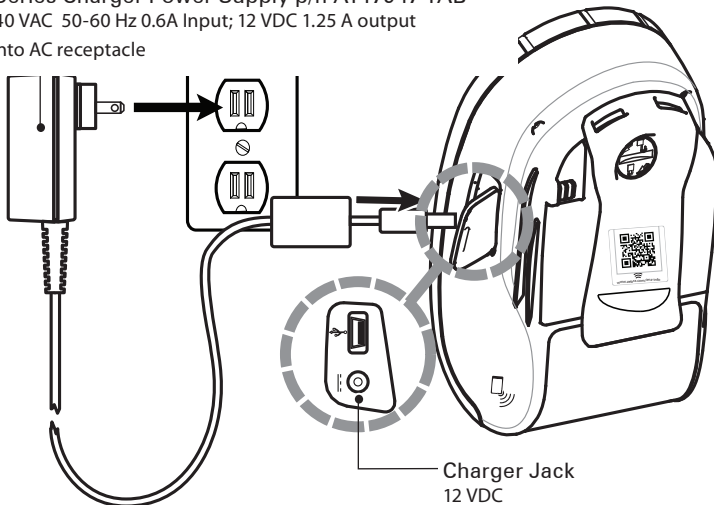
Figure 3: Preparing the Charger Power Supply



continued

Figure 4: Charging the Battery

iMZ Series Charger Power Supply p/n AT17947-TAB
110-240 VAC 50-60 Hz 0.6A Input; 12 VDC 1.25 A output
Plug into AC receptacle



Charging the battery

Refer to Figure 4.

1. Plug the Charger Power Supply into the appropriate A.C. wall receptacle. Then insert the charge cable into the printer's charger jack.
2. The printer's charger indicator will indicate the status of the charger as follows:
 - An Amber light indicates the battery is charging, and that the battery is less than 90% charged.
 - A Green light indicates the battery is fully charged. The battery is ready for use.

Approximate Charge Times :

Batteries are fully charged after 3.5 hours from the low-battery shut-off state. Partially discharged batteries will take less time to charge.



NOTES: Use of the printer while charging will increase charge times. Charge times are for completely discharged batteries. As a safety feature the battery will stop charging after 4.5 hours regardless of the battery's charge state.

iMZ Series Quad Power Station

The iMZ series Quad Power Station is designed to dock and charge up to four iMZ series printers of either type simultaneously.

1. Ensure that the Power Station has been installed properly per its instruction manual. Ensure that the power supply is properly connected and its power indicator light is on.
2. Slide a printer into any one of the four docking bays as shown in Figure 5.

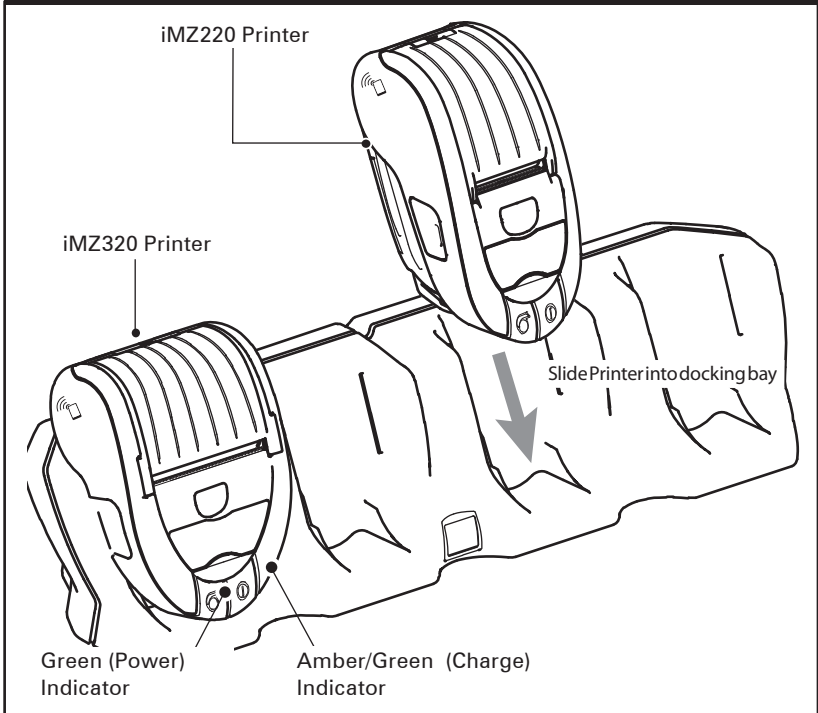


NOTES: If you are using a shoulder strap, ensure it is pulled away from the printer when installing in the Power Station.
Do not use the printer when it is installed in the Power Station

The printer's charge status indicator will turn amber if the printer is properly inserted and the battery is less than 90% charged.

The printer's charge indicators will allow you to monitor the

Figure 5: iMZ Series Quad Power Station



charging process. Refer to the Controls section of this manual for more information.

Battery Safety



Caution • Avoid accidental short circuiting of any battery. Allowing battery terminals to contact conductive material will create a short circuit which could cause burns and other injuries or could start a fire.



Important • Always dispose of used batteries properly. Refer to Appendix D for more battery recycling information.

Caution • Use of any charger not approved specifically by Zebra for use with its batteries could cause damage to the battery pack or the printer and will void the warranty.



Read carefully and always observe the safety guidelines for Li-Ion batteries provided with each Battery Pack.

Charger Safety



Do not place the Power Station in locations where liquids or metallic objects may be dropped into the charging bays.



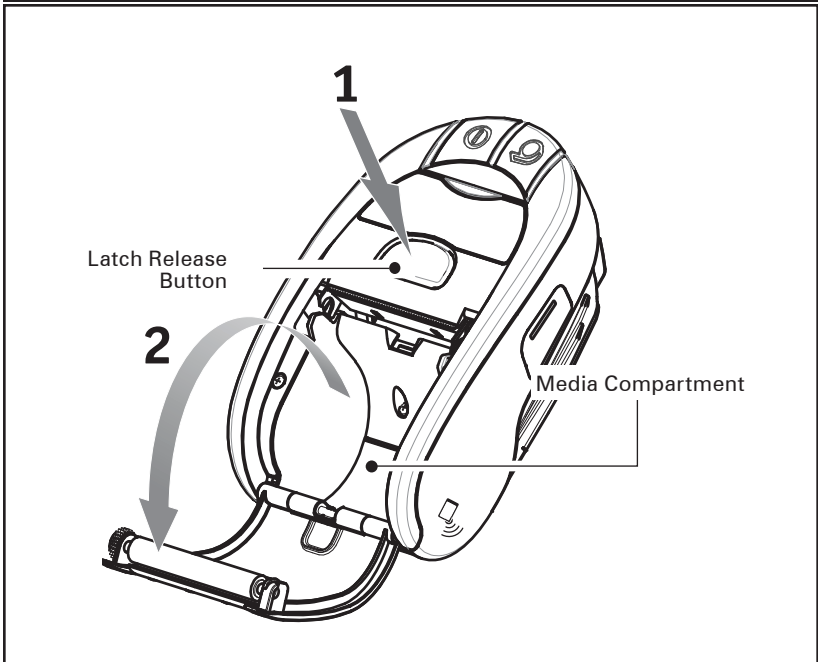
Use care when installing either the Charger Power Supply shipped with the printer or the power supply supplied with the iMZ series Power Station. Do not block the ventilating slots on the top and bottom covers of either power supply.

Ensure that the Charger Power Supply is plugged into a power source which will not accidentally be turned off if you will be charging batteries overnight.

Loading the Media (All models)

1. Open the printer: Refer to Figure 6.
 - Press the latch release button on the top of the printer as shown at "1" below. The media cover will flip open automatically revealing the media compartment.
2. Load the media: Refer to Figure 8
 - Insert the roll of media into the media compartment. Ensure that the media pulls off the core in the direction shown in Figure 8.
3. Close the Media Cover: Refer to Figure 9.
 - Pull a short length of media out of the printer
 - Close the Media Cover firmly and ensure it is securely latched on both sides..
 - Turn on the printer and press the Feed button. The printer will advance media until the Feed button is released. Verify the media is feeding properly and without binding or skewing sideways.

Figure 6: Opening the iMZ Printer (iMZ220 shown)



continued

Using Pre-Printed Receipt Media

iMZ series printers support alignment of pre-printed receipts by using the out of paper sensor located near the printhead.

Please be aware of the following factors:

- 1) Note the black bar location and dimensions as detailed below and in the Specifications section of this manual.
- 2) Complete information on using pre-printed media can be found in the FORM command topic in the CPCL Programming Manual. The CPCL manual is available on the iMZ Product CD or on the Zebra Web site at <http://www.zebra.com/manuals>.

Figure 7: Media Black Bar Dimensions

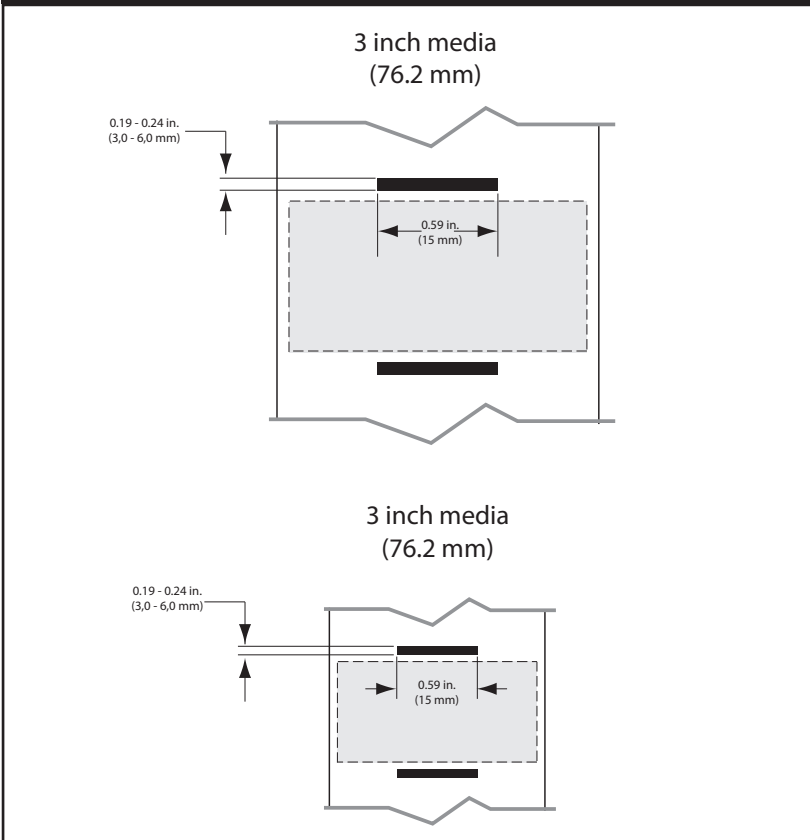


Figure 8: Installing Media

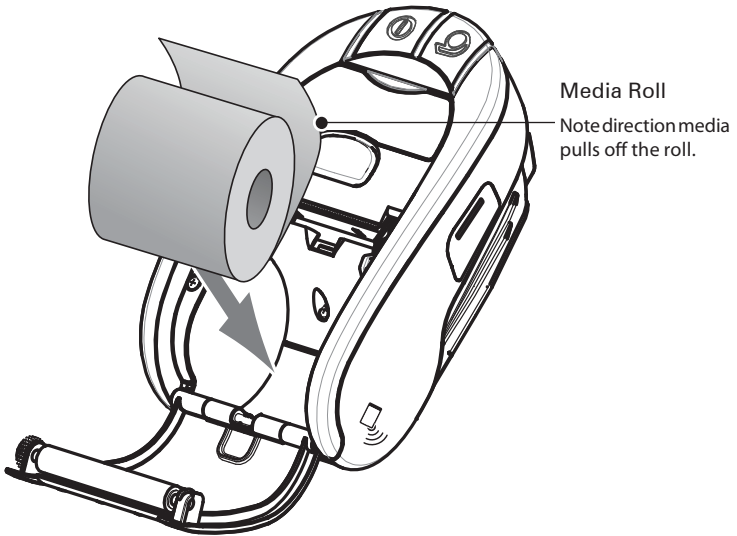
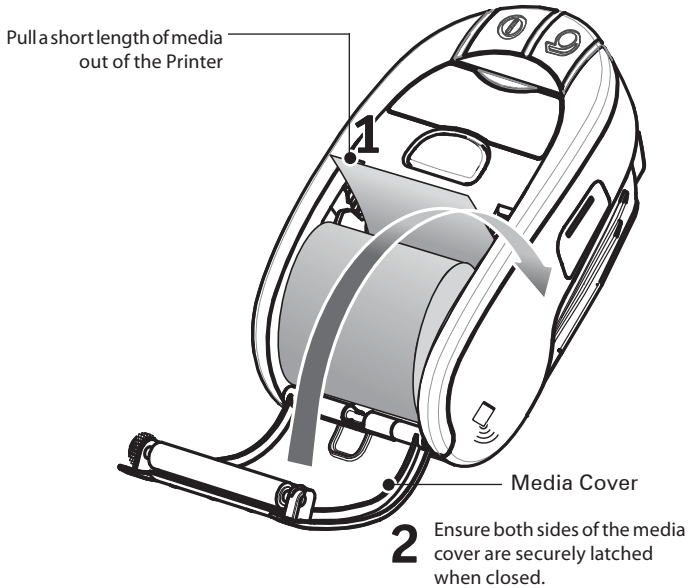


Figure 9: Closing the Media Cover



Operator Controls

iMZ series printer controls are detailed below and in Figure 10.

The printer has two control buttons and four multipurpose indicators.

The Power Button turns the printer on and off.

The Feed Button advances a length of media until it is released.

The Green/Amber indicator to the left of the Power Button indicates the status of the printer's built-in charger:

- If the indicator is off the battery is not being charged.
- If the indicator is Amber the battery is being charged.
- If the indicator is Green, the battery is fully charged.

The Green Indicator between the Power and Feed buttons has two states:

- A rapidly blinking light indicates a low battery condition.
- A steadily lit indicator means that power is on and the battery charge level is sufficient for use

The Amber Indicator to the right of the Feed button is an error indicator.

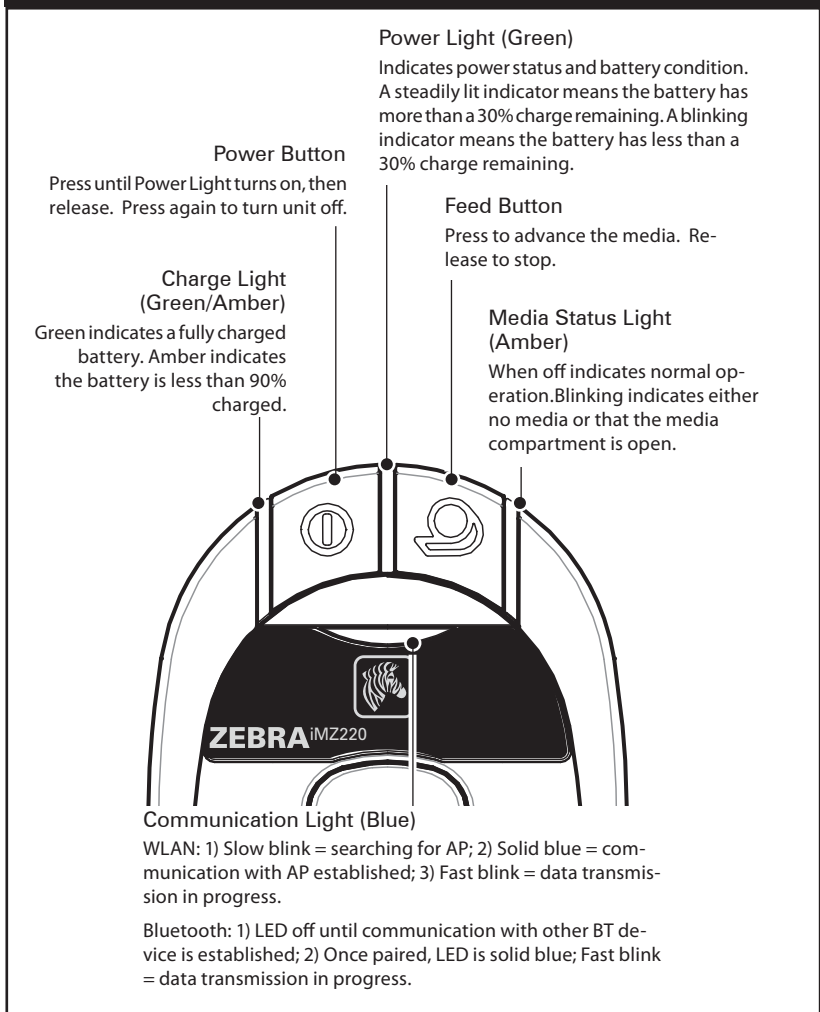
- An un-lit indicator means there is no error condition and the printer can be used.
- A blinking indicator could mean one of two conditions exist, which will inhibit printer operation:
 1. There is no media loaded.
 2. The media cover is open.
 3. If both the above conditions are met and the error light is still flashing, there could be no application loaded in the printer, or the application could have become corrupted.

The Blue Indicator just above the product I.D. label is a communications indicator. Its functions vary depending on the wireless communications option installed in the printer.

- If the printer has a Bluetooth® radio option:
 1. A solid blue LED indicates the printer has paired with another Bluetooth device.
 2. A fast blinking LED indicates that the printer is receiving data via Bluetooth communications.
 3. Blue LED is off until communication is established.

- If the printer has an 802.11n radio installed:
 1. A slow blinking blue light indicates the printer is searching for a wireless Local Area Network (WLAN).
 2. A solid blue light indicates the printer has established communication with a WLAN.
 3. A fast blinking light indicates that a data transmission is taking place.

Figure 10: Printer Controls



Normal Boot-up LED Behavior

1. Press Power (on/off) button for 1.5 seconds until Green power LED becomes solid.
2. When Power button is released within 1 second, the Green power LED starts blinking to indicate start of power-up sequence.
3. Once 1/3 of the total boot-up time has elapsed (approx. 4-5 seconds), the Amber media status LED becomes solid, and the Green power LED continues blinking.
4. Once 2/3 of the total boot-up time has elapsed (approx. 8-10 seconds), the Blue communication LED becomes solid, the media status LED continues to be solid Amber, and the Green power LED continues blinking.
5. When the boot-up sequence is successfully completed, the power LED turns solid Green, the media status (Amber) and communication (Blue) LEDs turn off.



Note: If continue to hold down the power button without releasing, the LED will remain illuminated solid green until the power button is released and the printer will not power on. Only when power button is pressed for 1.5 seconds and released before 2.5 seconds the printer will proceed to the power up sequence. This behavior was design to avoid accidentally power up the printer when the power button is pressed against an object for long periods of time when carrying the printer in a bag.

Diagnostic (Two key) Report LED Behavior

1. Press Feed and Power buttons (see Fig. 10) simultaneously to activate printing of two key report.
2. Green power LED starts blinking.
3. After 6 seconds the printer prints Zebra logo and the words "Building Two Key Report", indicating the user to wait.



Building Two-Key Report.....

-
5. LED lighting sequence replicates the one described above while waiting for the two key report to print.
 6. Once boot-up time sequence permits the two key report to start printing, then the two key report prints.
 7. Power LED turns solid Green once two key is complete.

Forced Download Description and LED Behavior

If for some reason the printer becomes inoperable, or the end-user wants to put the printer into forced download mode, follow the steps below.



Note: Connect the printer to a PC via a USB cable as shown in Fig. 12 before you start a forced firmware download.

Part 1: Set the Printer in Forced Download Mode and Wait for Data

1. Press and hold the Feed button.
2. Press and hold the Power button for 2 seconds and release while still pressing the Feed button.
3. The Green power LED will blink.
4. Continue pressing the Feed button for 16 seconds and then release.
5. The Amber LED will start blinking and the Green LED will turn solid. This indicates the printer is in forced download mode and waiting for data.

Part 2: Receiving Data

1. Connect the printer to a PC via a USB cable as indicated above.
2. When a firmware download is initiated, the Green power LED stays solid, and the Blue communication LED blinks indicating the printer is receiving data.

Part 3: Writing New Firmware to Flash Memory

1. The Green power LED will remain solid and the Amber media status LED will blink slowly when recently sent firmware is being written to the printer's flash memory.
2. The printer will automatically reboot. (See the following section.)

Rebooting After a Firmware Download or Forced Firmware Download (Description and LED Behavior)

When the user downloads an application (via either a normal or forced download), the firmware file is written to the printer flash memory and the printer is automatically rebooted.

When the printer is rebooted, the following occurs in the printer:

1. Decompression of the downloaded application.
2. Writing process of all the executables, libraries and support files to the file system.
3. Starting of the normal application start-up process.

Steps 1 and 2 will take approximately 30 seconds. During those 30 seconds the Green power LED will blink.

The normal boot-up will follow which will take the standard boot time of approximately 15 seconds. Therefore, after a firmware download (either normal or forced) the user will see the Green power LED blink for approximately 35 seconds, followed by a solid Amber LED and solid Blue LED for a final overall reboot time of 45 seconds.

Shutting Down LED Sequence

To shut off the printer, press and release the Power button.
Communication (Blue) LED Behavior

Printers with WLAN radio

1. Slow blinking Blue means searching for AP.
2. Solid Blue, means communication with AP established.
3. Fast blinking Blue (data transmission is taking place).

Printers with Bluetooth radio

1. Blue LED is off until communication with other BT device is established.
2. Once paired, communication LED is solid Blue.
3. Fast blinking Blue (data transmission is taking place).

Verify the Printer Is Working

Before you connect the printer to your computer, portable data terminal or wireless LAN, make sure that the printer is in proper working order. You can do this by printing a configuration label using the “two key reset” method. If you can’t get this label to print, refer to “Troubleshooting”.

Printing a Configuration Label

1. Press Feed and Power buttons (see Fig. 10) simultaneously.
2. Release the Power button after approximately one second.
3. Release the Feed button approximately one second after Green power LED is illuminated.
4. After 6 seconds the printer prints Zebra logo and the words “Building Two Key Report” indicating the user to wait.
5. LED lighting sequence replicates the one described in steps 3) and 4) above while waiting for the two key report to print.
6. Once boot-up time sequence permits the two key report to start printing, then the two key report prints.
7. Power LED turns solid Green once two key is complete.



Note: Refer to Fig. 18 for details on configuration report content.

Connecting the Printer

The printer must establish communications with a host terminal which sends the data to be printed. Communications occur in four basic ways:

- Via a cable using the USB 2.0 protocol. Windows drivers are available through Zebra Designer Driver. Zebra Setup Utilities can be used to configure the printer settings using a USB cable.
- By means of a wireless LAN (Local Area Network) using an optional radio per 802.11n specifications.
- By means of a Bluetooth short range radio link.
 - WinMobile®, Blackberry®, and Android® devices use standard Bluetooth® protocol.
 - iMZ Series printers are compatible with iOS devices, therefore printing via Bluetooth to an Apple® device is possible.



Cable Communication



Caution • The printer should be turned off before connecting or disconnecting the communications cable.

The small connector on the USB cable plugs into the printer. The connectors are keyed to assure correct alignment; do not try to force the cable if it does not plug in. The other end of the cable must be plugged into the host terminal as shown in Figure 11, or the USB port on a computer as shown in Figure 12. The iMZ series utilizes the USB Open HCI interface driver allowing it to communicate with Windows® based devices.

USB drivers are included in the Zebra Designer Driver which can be downloaded from the Zebra Web site. Other terminals or communications devices may require the installation of special drivers to use the USB connection. Consult the factory for further details.

Figure 11: Cable Communications

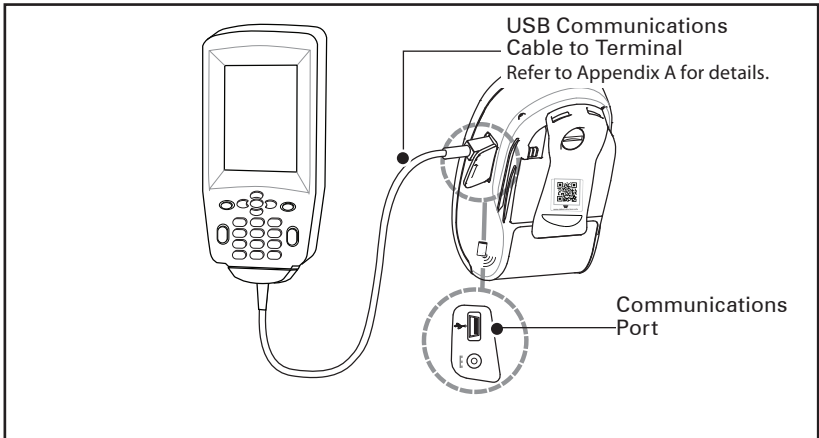
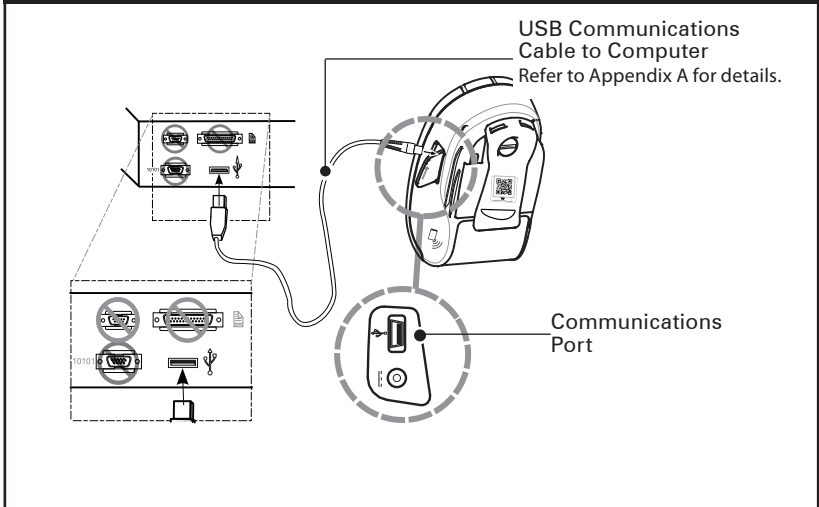


Figure 12: Communications with a P.C.



Wireless Communications with Bluetooth

Bluetooth is a worldwide standard for the exchange of data between two devices via radio frequencies. Bluetooth radios are relatively low powered to help prevent interference with other devices running at similar radio frequencies. This limits the range of a Bluetooth device to about 10 meters (32 feet). Both the printer and the device it communicates with must follow the Bluetooth standard.

Bluetooth Personal Area Network (PAN)

Each Bluetooth enabled iMZ series printer is identified by a unique Bluetooth Device Address (BDA) loaded into the printer when manufactured. In order to exchange data, two Bluetooth enabled devices must establish a connection.

Bluetooth software is always running in the background, ready to respond to connection requests. One device (known as the master) must request a connection with another. The second device (the slave) then accepts or rejects the connection. A Bluetooth enabled iMZ series printer will normally act as a slave creating a PAN with the handheld terminal. Up to seven (7) devices can create a PAN with Bluetooth technology, and this PAN is referred to as a "Piconet".

Bluetooth Connections

Bluetooth connections to the iMZ can be created by using the default user interface for Bluetooth communication that comes in the handheld device (the master device). Normally, this process has several steps including "discover the slave devices nearby", selecting the printer among those devices and pairing the two devices. The Bluetooth radio in the iMZ complies to BT spec v.2.1, therefore it supports security modes 1,2,3, and 4. By default the printer comes with security mode "1" (no security). To change the security mode and security settings in the printer use Zebra Setup Utilities.

If the master device trying to connect to the iMZ only supports Bluetooth Specification 2.0 or earlier, the iMZ will connect since the Bluetooth standard is backwards compatible with previous standard versions. If the master device is BT 2.0 or earlier and Authentication is set to "on" from the master side, then the master device will require a PIN from the printer.

By default the PIN is not set in the printer. To set your own PIN in the printer connect the printer with a cable to a PC or Laptop and use a Set-up Utility to set a PIN of your choice in the printer which can be up to 16 characters.

The discovery and pairing routine can be bypassed in custom applications. Software developers may use Zebra's Multiplatform SDK to aid them in coding the connection to the printer.

Bluetooth pairing requiring Man-In-The-Middle (MITM) protection

Some devices may require an authenticated Bluetooth connection between themselves and the iMZ printer. By requiring authentication, you can guarantee that the link occurs between only the two devices involved, and that no third device (the Man-In-The-Middle) can view the data being passed between them. MITM protection is possible in Bluetooth security mode 3 or above.

To authenticate the link, the two devices must demonstrate that they have each seen the same six digit number during the pairing process. On the iMZ, the only means of displaying a six digit number during pairing is to print the value. Therefore, there is a new SGD provided allowing a set of options:

```
! U1 setvar "bluetooth.allow_no_display_numeric_comparison"
```

The three options are:

1. "off": Bluetooth pairing uses "Just Works", with no MITM protection.
2. "print" (default): The user will compare the six digit value printed by the printer with the value displayed on the pairing device. If the values match, the user will accept on the pairing device and pairing will succeed with MITM protection. If the values do not match, the user will reject on the pairing device.



Note: Android devices require MITM protection therefore Android devices will negotiate the connection to Bluetooth security mode 3.

3. “no print”: The user will accept or reject the value displayed on the pairing device. If accepted, the pairing will succeed. There is a security risk that this connection could be monitored by another device which interfered during the pairing process.

In addition, the iMZ Series supports Near Field Communication (NFC) technology. With the new “Print Touch” feature, end-users can automatically connect via Bluetooth from a handheld device that supports NFC technology. Simply touching the NFC handheld device to the “Print Touch” icon on the printer will connect and pair the handheld device to the printer. Bluetooth pairing via NFC is supported by the Multiplatform SDK.

Figure 13: NFC Connectivity



Connecting to Apple Devices

The iMZ Series has the required technology to directly connect via Bluetooth to an Apple device.

If the device has iOS 5, the user must tap the Settings icon in the Apple device and then select Bluetooth. The discovery routine will happen automatically from this screen. Once the printer is discovered, select the printer to finish the pairing process. Once the iMZ printer is paired, the user will be able to use the printer in any application that supports the iMZ printer. A demo application is available in the Apple store.

In iOS 6 pairing the printer within the application that supports printing to a Zebra iMZ device is now possible. The user of an iOS 6 device does not need to pair the printer via Bluetooth outside the application.



WLAN Overview

iMZ Series printers can be equipped with a radio using the industry standard 802.11 protocols. They will have the FCC ID number on the serial number label on the back of the unit.

- iMZ Series Wireless Network Printers with the Zebra 802.11 WLAN radio module can be identified by the text "Wireless Network Printer" on the serial number label on the back of the printer.
- These printers allow communication as a node within a wireless local area network (WLAN). Methods of establishing communications to the printer will vary with each application.

General information on establishing WLAN communications can be found in the "CPCL Programming Manual" which is available on-line. More information and LAN configuration utilities are included in Zebra's Net Bridge™ program (version 2.8 and later). Zebra Setup Utilities (ZSU) can also be used to configure WLAN communications settings. Both Net Bridge and ZSU may be downloaded from the Zebra Web site.

Setting Up the Software

iMZ Series printers use Zebra's CPCL and ZPL Programming languages which were designed for mobile printing applications. CPCL and ZPL are fully described in the "CPCL Programming Manual" and the "ZPL Programming Guide" available on-line at www.zebra.com/manuals.

You can also use Designer Pro, Zebra's Windows® based label creation program which uses a graphical interface to create and edit labels in either language.

Refer to Appendix E for tips on downloading the Designer Pro application from Zebra's Web site.

Wearing the Printer

Belt Clip

All iMZ Series printers have a belt clip installed as a standard feature. To use: hook the clip over your belt, and ensure that the clip is securely attached to the belt. The belt clip will pivot slightly to allow you to move freely while wearing the printer.

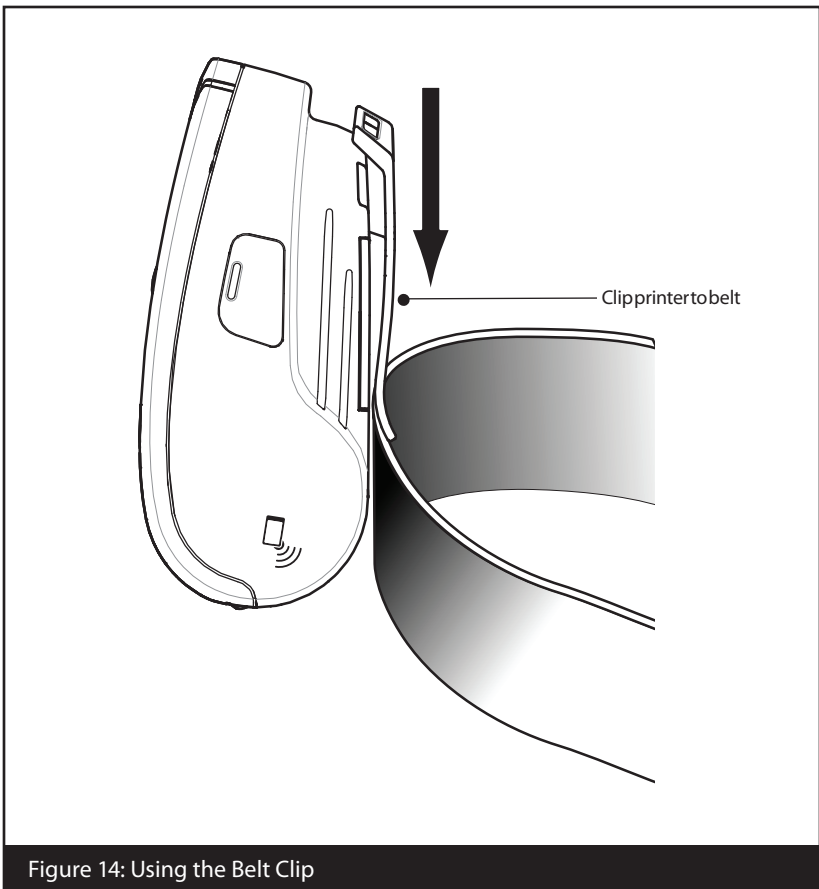


Figure 14: Using the Belt Clip

continued

Adjustable Shoulder Strap

Refer to Figure 15 if you have ordered the shoulder strap option for your printer. Secure each end of the shoulder strap as shown below. Use the main buckle on the shoulder strap to adjust to the desired length.



NOTE: If you are using a shoulder strap, ensure it is pulled away from the printer when installing in the Power Station. See page 13.

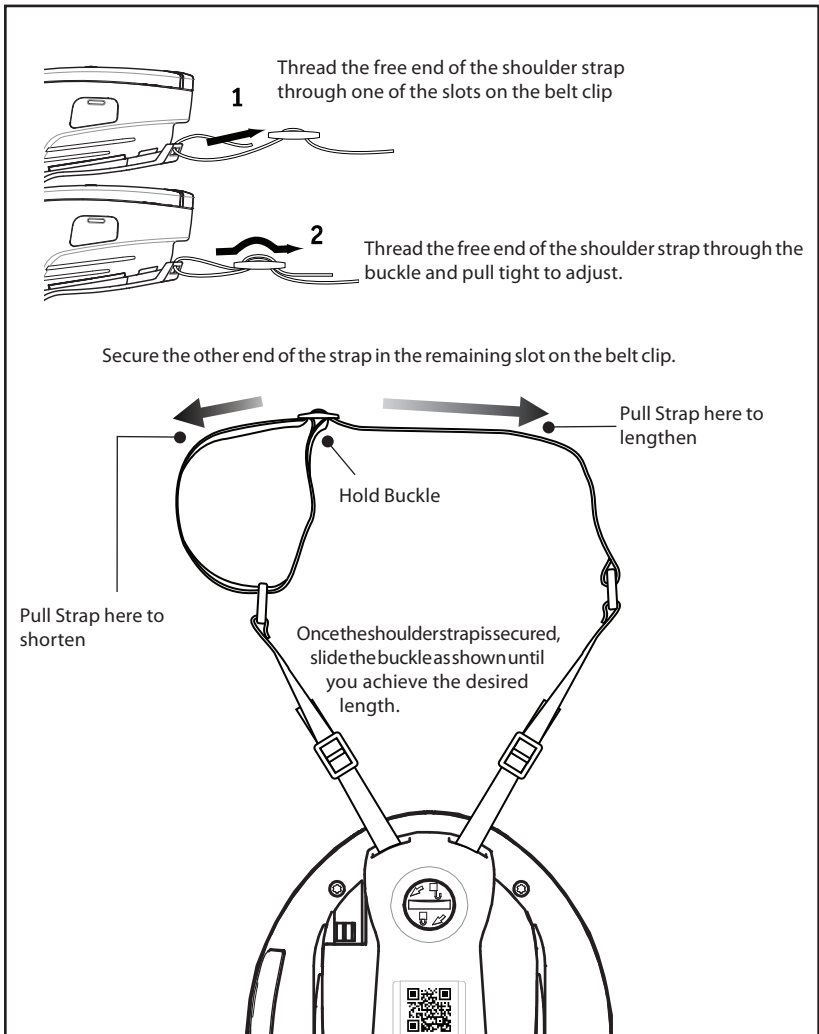


Figure 15: Using the Optional Shoulder Strap

Preventive Maintenance

Extending Battery Life

- Always observe the safety precautions in the Lithium-Ion Battery Technical Bulletin included with each Battery Pack.
- Never expose the battery to direct sunlight or temperatures over 104° F (40° C).
- Do not charge the battery when the temperature exceeds 113° F (45° C).
- Always use a Zebra power supply designed specifically for the iMZ series printers. Use of any other kind of power supply may damage the battery.
- Use the correct media for your printing requirements. An authorized Zebra re-seller can help you determine the optimum media for your application.
- If you print the same text or graphic on every label, consider using a pre-printed label.
- Choose the correct print darkness, and print speed for your media.



NOTE: Use of label media in an iMZ series printer requires a “Tone” setting of 50 for best results. The Tone setting can be modified by connecting the printer to a PC and using the Label Vista application. Refer to the Cable Communications section of “Connecting the Printer” in this manual.

- Use software handshaking (XON/XOFF) whenever possible.
- Remember that any rechargeable battery will lose its ability to maintain a charge over time. It can only be recharged a finite number of times before it must be replaced. Always dispose of batteries properly. Refer to Appendix D for more information on battery disposal.
- If you print while charging the battery, charge times will be prolonged. Extensive printing while charging could deplete the battery enough to cause the low battery warning indicator to turn on. You should suspend printing at that time and allow the battery to re-charge completely.

continued

General Cleaning Instructions



Caution • To avoid possible personal injury or damage to the printer, never insert any pointed or sharp objects into the printer.

Always turn the printer off before performing any cleaning procedures.

Use care when working near the tear bar. The edges are very sharp.



Caution • The printhead can be very hot after prolonged printing. Allow it to cool off before attempting any cleaning procedures.



Only use a Zebra cleaning pen or a cotton swab saturated with alcohol for cleaning the printhead.

Caution • Use only cleaning agents specified in the following tables. Zebra Technologies Corporation will not be responsible for damage caused by any other cleaning materials used on this printer.

iMZ Series Cleaning Instructions

Area	Method	Interval
Printhead	Use a Zebra cleaning pen or a 70% isopropyl alcohol solution on a cotton swab to clean the print elements from end to end (the print elements are located in the thin gray line on the printhead).	After every five rolls of media (or more often, if needed) Linerless media requires more frequent cleaning.
Platen	Use a soft lint-free cloth to wipe the platen roller when dirty. Avoid using alcohol or solvents on the surface of linerless platens as they will damage the platen roller.	
Tear bar	Clean thoroughly with a Zebra cleaning pen or a 70% isopropyl alcohol solution and a cotton swab.	
Exterior	Water dampened cloth	As needed
Media Compartment Interior	Brush/air blow. Units with linerless platens: Clean inside surfaces with a Zebra cleaning pen or 70% Isopropyl alcohol on cotton swab.	After every five rolls of media (or more often, if needed)
Media/Black Bar Sensor		

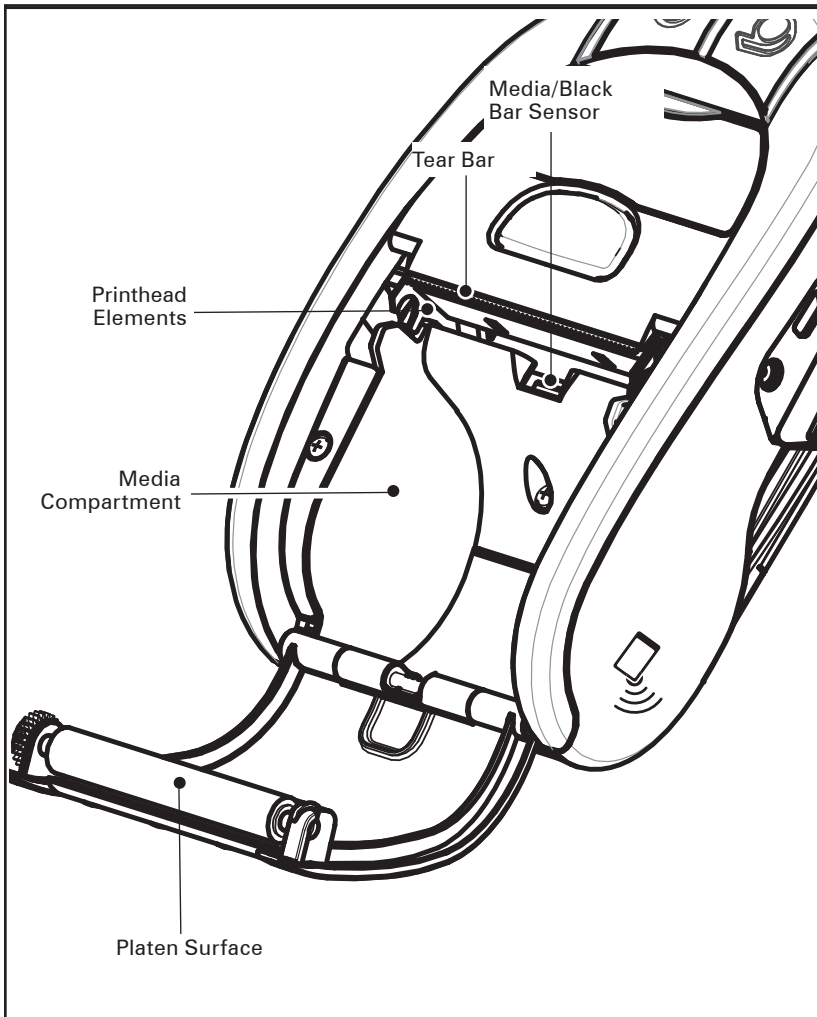


Figure 16: iMZ Series Cleaning



Caution • To avoid possible personal injury or damage to the Printer, never insert any pointed or sharp objects into the Printer.

Troubleshooting

Interpreting Indicators

The printer's indicators display various printer functions and their status. Check the indicator status, then refer to the Troubleshooting topic referenced in the chart.

Function	Indicator Color	Indicator Status: Steady	Indicator Status: Blinking	Troubleshooting Topic
Power	Green	Indicates printer is on and battery condition is OK to use.	Blinking signifies Low Battery	3
Charger	Amber/ Green	Off indicates battery is not charging. Amber indicates battery is charging. Green indicates battery is charged.	N/A	1,6,10
Error	Amber	Off indicates no error condition	No media or media door is open. Application may be missing or corrupted	2,4,7,9
Commu- nications	Blue	Bluetooth: Printer has paired with another Bluetooth device.	Data is being received	5,8
		802.11n: Radio is associated with a WLAN	Radio is trying to associate with a WLAN.	5,8

Troubleshooting Topics

1. No power:

- Ensure you press and hold the Power switch until the Power light comes on.
- Check that battery is installed properly.
- Recharge or replace battery as necessary.

2. Media does not feed:

- Be sure Media Cover is closed and latched.
- Check media compartment. Ensure media is not binding on the sides of the compartment.

3. Poor or faded print:

- Clean printhead.
- Check battery for possible damage. Recharge or replace as necessary.
- Check quality of media.
- If using label media, ensure the "Tone" setting is set to 50.

4. Partial or missing print:

-
- Check media alignment.
 - Clean printhead.
 - Ensure Media Cover is properly closed and latched.
5. No print:
- Replace battery.
 - Check cable to terminal.
 - (Wireless units only) Restore wireless connection.
6. Reduced battery life:
- Check battery date code — if battery is one to two years old, short life may be due to normal aging.
 - Recharge or replace battery.
7. Flashing Amber indicator:
- Check that media is loaded and that printhead is closed and securely latched.
 - If media is present and latch is closed, indicates that no application is present or application is corrupted. Program must be re-loaded.
8. Communication Error:
- (Wireless units only) Check that media is loaded, head is closed and blue communication link light is on.
 - (USB) Replace cable to terminal.
9. Label Jam:
- Open media cover.
 - Generously apply alcohol to Printer in area of jammed label.
10. Battery Pack Is Hard to Install:
- Do not force the battery into place. Verify you have not pinched any wires between the battery and the printer.
 - Verify you are plugging the battery connector into the printer correctly.

Resetting an iMZ Series Printer



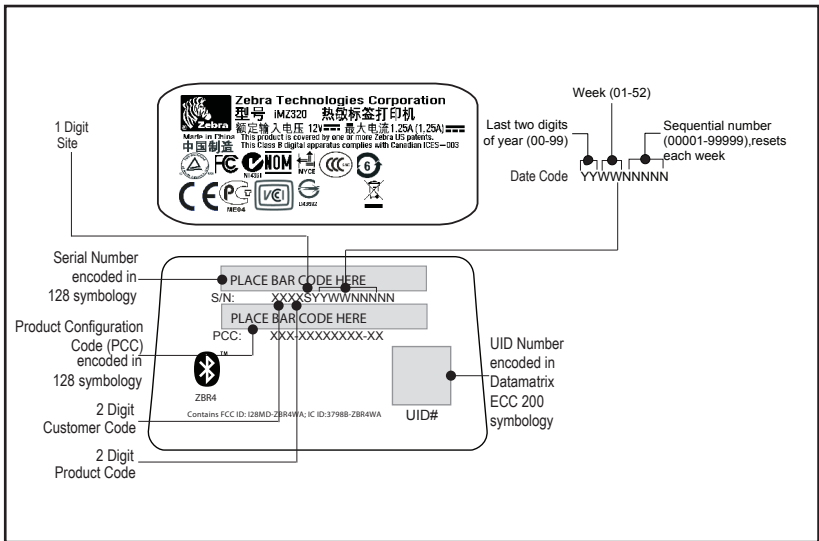
If the printer has locked up and is not responding to any operator inputs or external commands, either from a connected terminal or from a linked LAN, you can perform a forced reset as follows:

Press and hold the Power (on/off) button for approx. 4.5 seconds until the printer shuts down.

Information On Back Of Printer

The printer build date is identified by the Year and Week codes of the printer serial number label located on the bottom of the unit. (See Figure 17 below).

Figure 17: Determining Your Printer Version (iIMZ320 illustrated)



Troubleshooting Tests

Printing a Configuration Label

To print out a listing of the printer's current configuration follow these steps:

1. Turn the printer off. Load the media compartment with journal media (media with no black bars printed on the back)
2. Follow the steps outlined in Diagnostic (Two key) Report LED Behavior on Page 20.

Refer to Figures 18 and 18a for a sample configuration print-out.

Communications Diagnostics

If there is a problem transferring data between the computer and the printer, try putting the printer in the Communications Diagnostics Mode (also referred to as the "DUMP" mode). The printer will print the ASCII characters and their text representation (or the period '.', if not a printable character) for any data received from the host computer

To enter Communications Diagnostics Mode:

1. Print a configuration label as described above.
2. At the end of 2nd diagnostics report, the printer will print: "Press FEED key to enter DUMP mode".
3. Press the FEED key. The printer will print: "Entering DUMP mode".



Note • If the FEED key is not pressed within 3 seconds, the printer will print "DUMP mode not entered" and will resume normal operation.

4. At this point, the printer is in DUMP mode and will print the ASCII hex codes of any data sent to it, and their text representation (or "." if not a printable character).

Additionally, a file with a ".dmp" extension containing the ASCII information will be created and stored in the printer's memory. It can be viewed, "cloned" or deleted using the Label Vista application. (Refer the Label Vista documentation for more information.)

To terminate the Communications Diagnostics Mode and re-

turn the printer to normal operations:

1. Turn the printer OFF.
2. Wait 5 seconds.
3. Turn the printer ON.

Calling Technical Support

If the printer fails to print the configuration label, or you encounter problems not covered in the Troubleshooting Guide, contact Zebra Technical Support. Technical Support addresses and phone numbers for your area can be found in Appendix D of this manual. You will need to supply the following information:

- Model number and type (e.g. iMZ220)
- Unit serial number (Found on the large label on the back of the printer, also found in the configuration label print-out. Refer to Figure18.)
- Product Configuration Code (PCC) (15 digit number found on the label on the back of the unit)

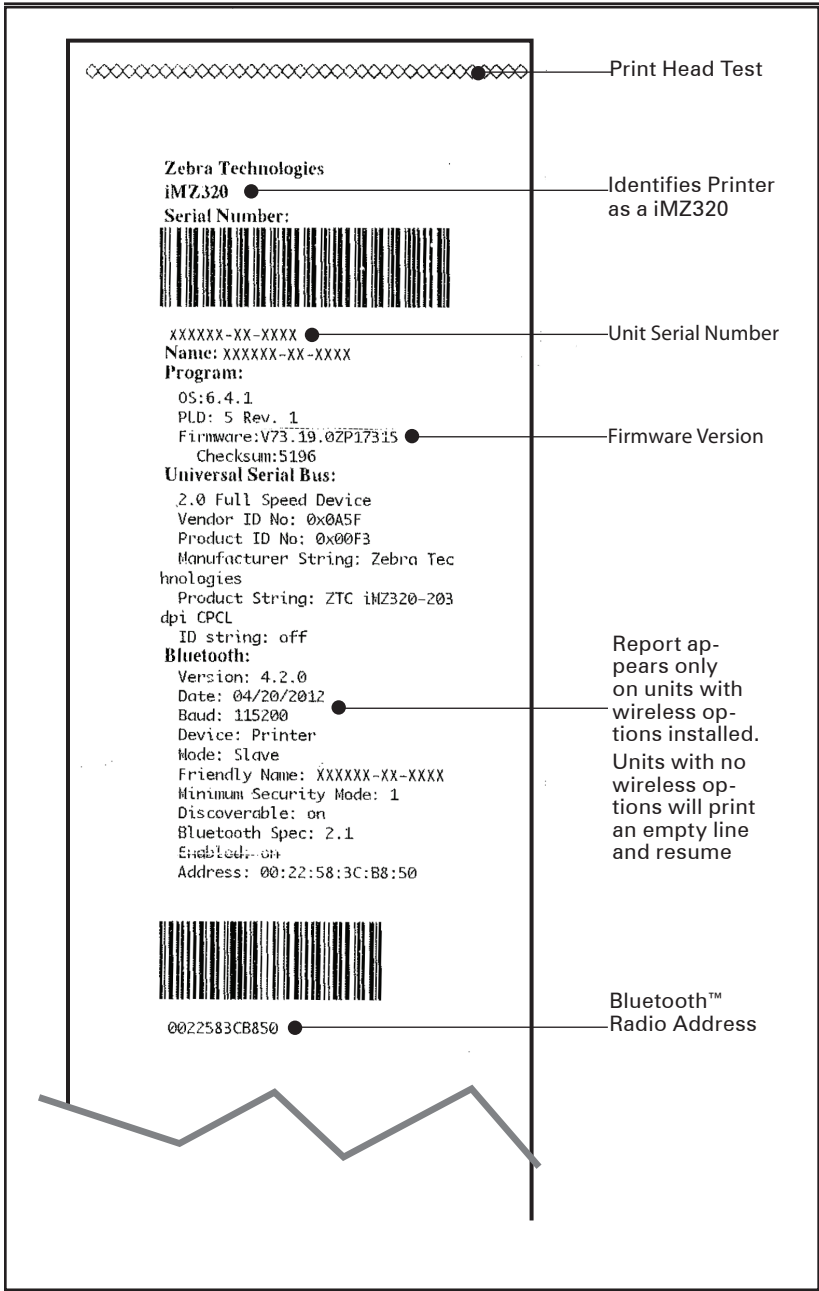


Figure 18: Configuration Label Example (iMZ320 illustrated)

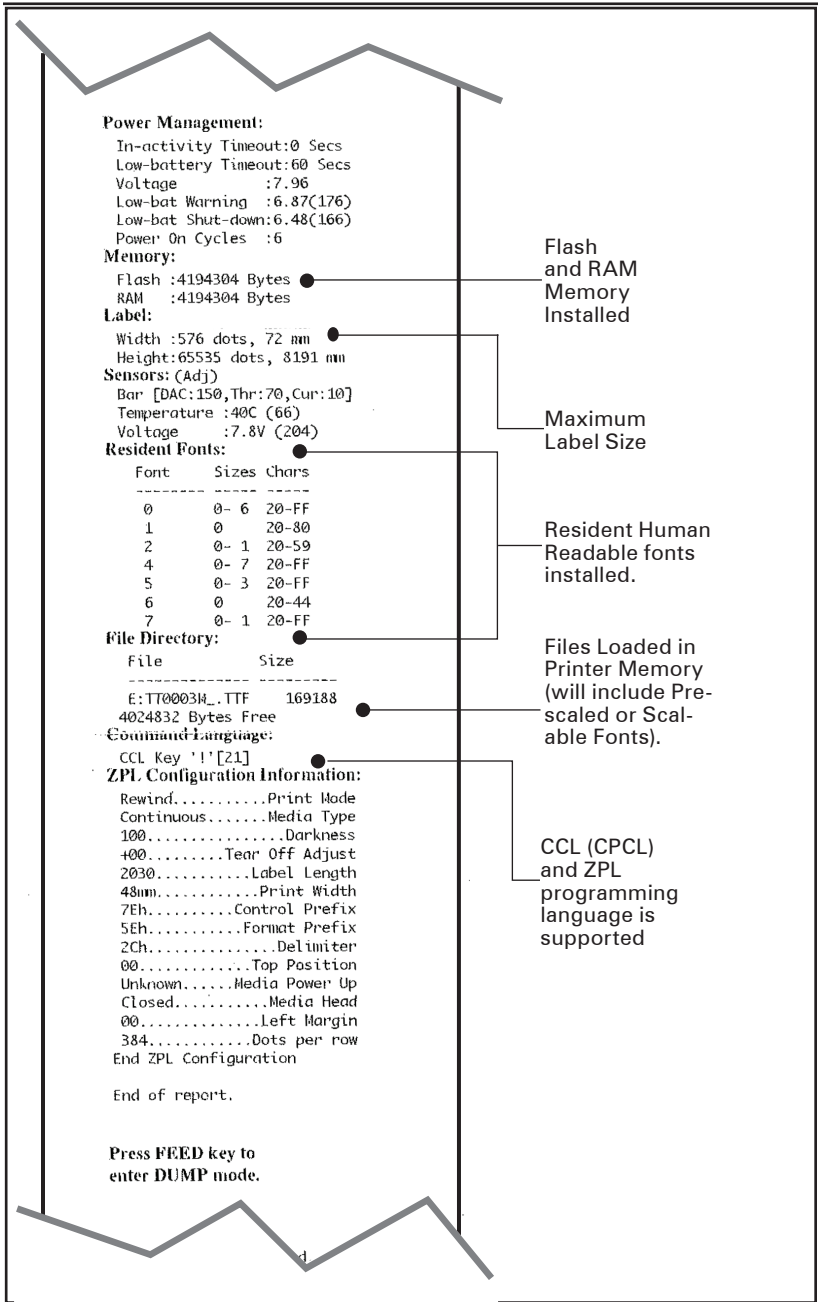


Figure18a: Configuration Label Example (continued)

continued

Specifications



Note.- Printer specifications are subject to change without notice.

Printing Specifications

Parameter	iMZ220	iMZ320
Print Width	Up to 1.89 in. (48,0 mm)	Up to 2.9 in. (71,2 mm)
Print Speed (max)	3" per second (76,2 mm/second)	
Print Speed (normal)	2" per second (5,0 mm/second)	
Print Head Life, calculated	1 x 10 ⁶ in. (25,4 Km) nominal	
Print Density	203 dots/inch (8 dots/mm)	
Printhead Burn Line to Tear Edge	0.2 in. (5,08 mm)	

Memory and Communications Specifications, iMZ series

Flash Memory	128 MB
SRAM	128 MB
Standard Communications	USB 2.0 Full Speed Interface (12 Mbps)
Optional Wireless Communications	Standard Bluetooth compatible module Optional 802.11a/b/g/n SRRF module Dual radio option (802.11a/b/g/n & BT 3.0 available in Q1-2013)

Media Specifications

Parameter	iMZ220	iMZ320
Width	2.0 ± .03 in. (50,8 ± 0,8 mm)	3.0 ± .03 in. (76,2 mm ± 0,8 mm)
Max. Printable Area	1.9" (48,3 mm)	2.9" (73,7 mm)
Length	Maximum length will vary with the size of loaded applications. Refer to the configuration label for actual maximum label size.	
Label Thickness	.002 in to .004 in (0,050 mm to 0,102 mm)	
Max. Media Roll dia.	1.88 in. (47,8 mm) O.D.	
Label Inner Core Diameter	0.40 to 0.75 in.. (10,2 to 19,0 mm)	
Black Mark Dimensions	The reflective media black marks should extend past the centerline of the roll on the front side of the media. Minimum mark width: 0.59 in. (15 mm) perpendicular to edge of media, centered within the width of the roll. Mark length: 0.19 - 0.24 in. (3,0-6,0 mm) parallel to edge of media. (See Fig. 7)	

Use Zebra brand direct thermal or UV resistant coated media that is outside wound. Refer to Appendix "B" for more details.

ZPL Bar Code Specifications and Commands

	Barcode (ZPL Command)
Linear & 2-D Bar Codes Available	Aztec (^B0)
	Codabar (^BK)
	Codablock (^BB)
	Code 11 (^B1)
	Code 39 (^B3)
	Code 49 (B4)
	Code 93 (^BA)
	Code 128 (^BC)
	DataMatrix (^BX)
	EAN-8 (^B8)
	EAN-13 (^BE)
	GS1 DataBar Omnidirectional (^BR)
	Industrial 2 of 5 (^BI)
	Interleaved 2 of 5 (^B2)
	ISBT-128 (^BC)
	LOGMARS (^BL)
	Micro-PDF417 (^BF)
	MSI (^BM)
	PDF-417 (^B7)
	Planet Code (^B5)
	Plessey (^BP)
	Postnet (^BZ)
	Standard 2 of 5 (^BJ)
TLC39 (^BT)	
UPC/EAN extensions (^BS)	
UPC-A (^BU)	
UPC-E (^B9)	
Maxi Code (^BD)	
QR Code (^BQ)	
Rotation Angles	0°, 90°, 180°, and 270°

*Contains UFST from Agfa Monotype Corporation

CPCL and ZPL Font Specifications

CPCL Font Specification: 203 dpi (8 dots/mm)

Fonts	Matrix (in dots) (HxW)	Min. Char. Size (HxW)	Max. CPI
0 (Standard)	9 x 8	.044" x .039"	25.4
1 (min. width)	48 x 13	.236" x .064"	15.6
1 (max. width)	48 x 39	.236" x .192"	5.2
2 (OCR-A)	12 x 20	.059" x .099"	10.2
4 Size 0 (min. width)	47 x 11	.232" x .054"	18.5
4 Size 0 (max. width)	47 x 43	.232" x .212"	4.7
5 Size 0 (min. width)	24 x 7	.118" x .034"	29
5 Size 0 (max. width)	24 x 23	.118" x .113"	8.8
6 (MICR)	27 x 28	.133" x .138"	7.3
7	24 x 12	.118" x .059"	16.9

- Standard Fonts: 25 bitmapped, 1 smooth, scalable (CG Triumvirate Bold Condensed*)
- Optional Fonts: downloadable bitmapped/scalable fonts.
- International Character Sets (optional): Chinese 16x16 (traditional), 16x16 (simplified), 24x24 (simplified); Japanese 16x16, 24x24; Korean Mincho, Meong; Russian.
- Scalable text feature.
- Standard resident fonts can be rotated in 90° increments.
- Supports user defined fonts, and graphics and logos.
- Text concatenation to assign different character styles.
- Allows text magnification 1-16 times the original size.
- Proportional and fixed-width fonts.

*Contains UFST from Agfa Monotype Corporation

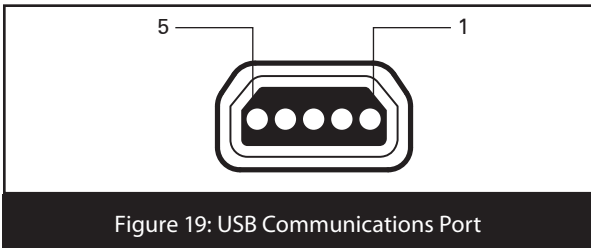
Font	Matrix (in dots) (HxW)	Type*	Min. Char. Size (HxW)	Maz. C.P.I.
A	9 x 5	U-L-D	.044" x .030"	33.3
B	11 x 7	U	.054" x .044"	22.7
C,D	18 x 10	U-L-D	.089" x .059"	16.9
E	28 x 15	OCR-B	.138" x .098"	10.2
F	26 x 13	U-L-D	.128" x .079"	12.7
G	60 x 40	U-L-D	.295" x .236"	4.2
H	21 x 13	OCR-A	.103" x .093"	10.8
GS	24 x 24	SYMBOL	.118" x .118"	8.5
P	20 x 18	U-L-D	0.098 x 0.089	N/A
Q	28 x 24	U-L-D	0.138 x 0.118	N/A
R	35 x 31	U-L-D	0.172 x 0.153	N/A
S	40 x 35	U-L-D	0.197 x 0.172	N/A
T	48 x 42	U-L-D	0.236 x 0.207	N/A
U	59 x 53	U-L-D	0.290 x 0.261	N/A
V	80 x 71	U-L-D	0.394 x 0.349	N/A
Ø	15 x 12	U-L-D	Scalable (Smooth) Font	

*U=upper case, L=lower case, D=descenders

- Character Fonts: Standard bitmapped Zebra fonts: A, B, C, D, E (OCR-B), F, G, H, (OCR-A), GS, P, Q, R, S, T, U, V & Ø Smooth font (CG Triumvirate Bold Condensed).
- Supports Unicode UTF-8, UTF-16, and several other single and multi-byte international character sets (See ZPL programming guide for more details).
- Supports user defined fonts and graphics – including custom logos.
- Bitmap fonts are expandable up to 10 times, height and width independent. Fonts E and H (OCR-B and OCR-A), however, are not considered in spec when expanded.
- Smooth scalable font Ø (CG Triumvirate Bold Condensed) is expandable dot-by-dot, height and width independent.
- Unicode Swiss 721 font available.

USB Communications Port

Pin#	Signal Name	Type	Description
1	VBUS	-	USB Bus Power
2	USB -	bi-directional	I/O Signals
3	USB +	bi-directional	I/O Signals
4	USB_ID	-	Identifies A/B connector
5	Return	-	Ground



Physical, Environmental and Electrical Specifications

Parameter	IMZ220	IMZ320
Weight w/ battery, excluding media	.70 lbs. (317,5 g.)	.75 lbs. (340,2 kg.)
Temperature	Operating : 14° to 122° F (-10° to 50° C)	
	Charging: 32° to 104° F (-0° to 40° C)	
	Storage w/o battery: -4° to 140° F (-25° to 60° C)	
	Storage w/ battery: -4° to 113° F (-25° to 45° C)	
Relative Humidity	Operating: 10% to 90% (non-condensing)	
	Storage: 10% to 90% (non-condensing)	
Battery	Lithium-Ion, 7.4 VDC (nominal); 1500 mAHr.	
Printer Input Power	12.0 VDC; 1.25A	
Ingression Protection (IP) Rating	42	

continued

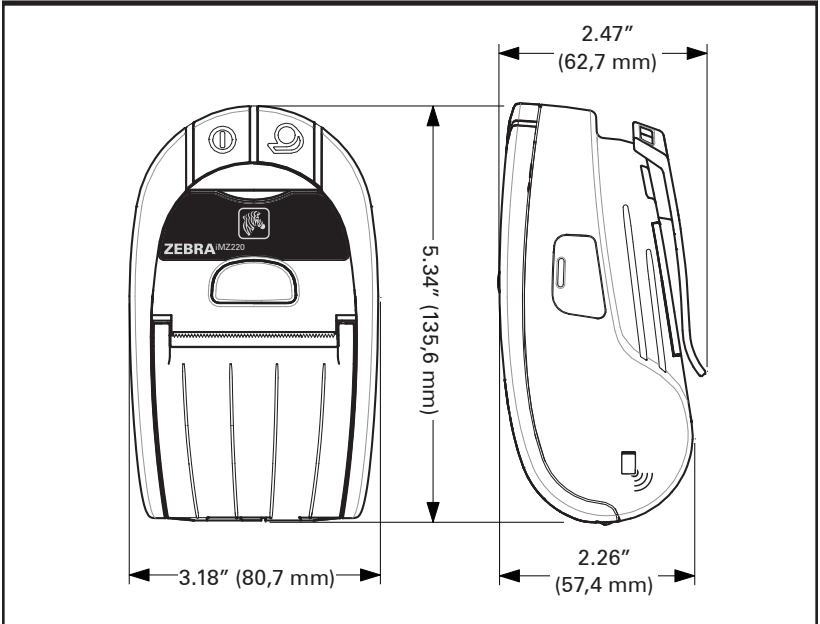


Figure 20 iMZ220 Overall Dimensions

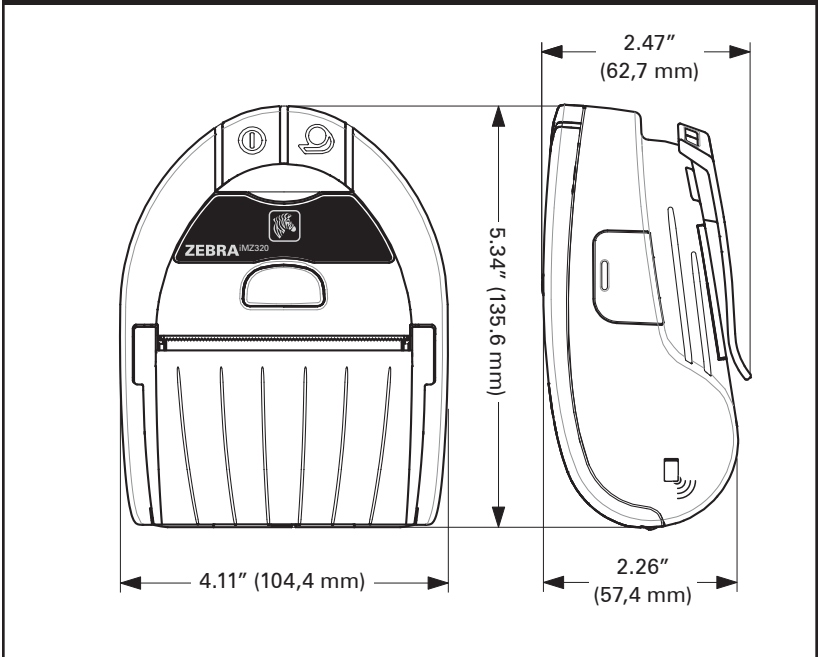


Figure 21: iMZ320 Overall Dimensions

iMZ Series Accessories

Description	IMZ220	IMZ320
Adjustable shoulder strap	•	•
Protective soft case	•	•
Vehicle Adapter Cable	•	•
Extra battery packs	•	•
iMZ Series Quad Power Station 100-240 VAC	•	•



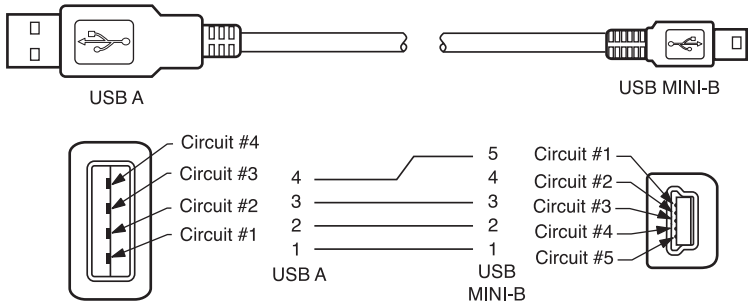
Refer to Appendix A for information on Data I/O Cables
For more details on available accessories, contact your authorized
Zebra re-seller.

Appendix A

Interface Cables

USB Cable

Part Number AT17010-1; USB A to USB Mini B Cable



MORE INTERFACE CABLES



Contact the Factory or your Zebra Sales Representative for more information on interface cables to most major manufacturer's data terminals.

You may also visit the Zebra Web site at <http://www.zebra.com> for a listing of interface cables for all series of Zebra mobile printers

Appendix B

Media Supplies

To insure maximum printer life and consistent print quality and performance for your individual application, it is recommended that only media produced by Zebra be used.

Advantages include:

- Consistent quality and reliability of media products.
- Large range of stocked and standard formats.
- In-house custom format design service.
- Large production capacity which services the needs of many large and small media consumers including major retail chains world wide.
- Media products that meet or exceed industry standards.

iMZ Series Media

Z-Select 4000D 3.2 mil Receipt				
Width x Length	Part #	Length	Rolls/Carton	Wt/Carton
2.00" (50,8 mm) x Cont.	10011043	55' (16,76 M)	36	9 lbs.
3.00" (76,2 mm) x Cont.	10011044	55' (16,76 M)	36	13 lbs.
Z-Select 1000D 2.4 mil Receipt				
Width x Length	Part #	Length	Rolls/Carton	Wt/Carton
2.00" (50,8 mm) x Cont.	10011041	80' (24,39 M)	36	9 lbs.
3.00" (76,2 mm) x Cont.	10011042	80' (24,39 M)	36	13 lbs.

For more information call Zebra Technologies Corporation at +1.866.230.9495 (U.S., Canada and Mexico) and ask to speak to a Media Sales Representative.

Appendix C

Battery Disposal



The EPA certified RBRC® Battery Recycling Seal on the Lithium-Ion (Li-ion) battery supplied with your printer indicates Zebra Technologies Corporation is voluntarily participating in an industry program to collect and recycle these batteries at the end of their useful life, when taken out of service in the United States or Canada. The RBRC program provides a convenient alternative to placing used Li-ion batteries into the trash or the municipal waste stream, which may be illegal in your area.



Important • When the battery is worn out, insulate the terminals with tape before disposal

Please call 1-800-8-BATTERY for information on Li-ion battery recycling and disposal bans/restrictions in your area. Zebra Technologies Corporation's involvement in this program is part of our commitment to preserving our environment and conserving our natural resources.

Outside North America, please follow local battery recycling guidelines.

Product Disposal



Do not dispose of this product in unsorted municipal waste. This product is recyclable. Please recycle according to your local standards. For more information, please see our web site at: <http://www.zebra.com/recycle>.



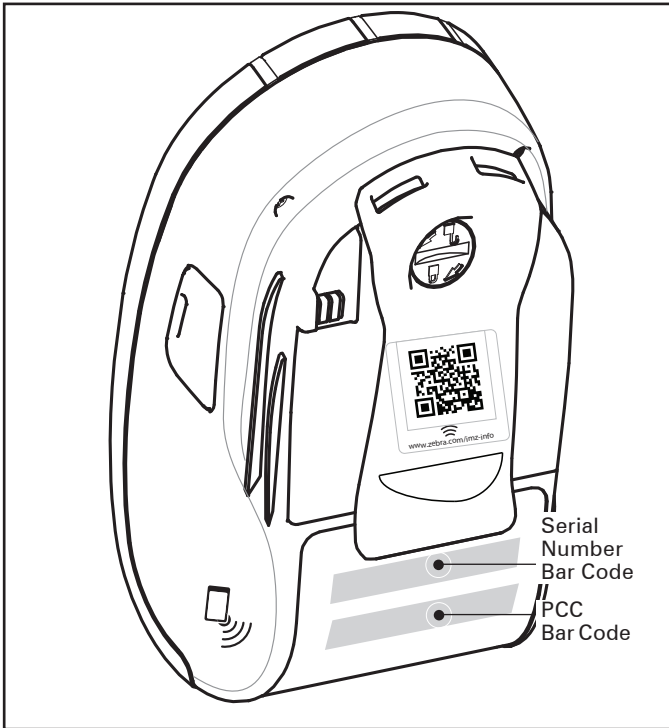
Appendix D

Product Support

When calling with a specific problem regarding your printer, please have the following information on hand:

- Model number/type (e.g. iMZ220)
- Unit serial number
- Product Configuration Code (PCC)

For Product Support Contacts, see the table on the next page or contact your local re-seller.



iMZ Series Serial Number Label
iMZ 220 illustrated

Product Support Contacts

In the Americas contact

Regional Headquarters	Technical Support	Customer Service Dept.
Zebra Technologies Corporation 475 Half Day Road, Suite 500 Lincolnshire, Illinois 60069 U.S.A T: +1 847 634 6700 Toll-free +1 866 230 9494 F: +1 847 913 8766	T: +1 877 275 9327 F: +1 847 913 2578 Hardware: ts1@zebra.com Software: ts3@zebra.com	For printers, parts, media, and ribbon, please call your distributor, or contact us. T: +1 877 275 9327 E: clientcare@zebra.com

In Europe, Africa, the Middle East, and India contact

Regional Headquarters	Technical Support	Internal Sales Dept.
Zebra Technologies Europe Limited Dukes Meadow Millboard Road Bourne End Buckinghamshire SL8 5XF, UK T: +44 (0)1628 556000 F: +44 (0)1628 556001	T: +44 (0) 1628 556039 F: +44 (0) 1628 556003 E: Tseurope@zebra.com	For printers, parts, media, and ribbon, please call your distributor, or contact us. T: +44 (0) 1628 556032 F: +44 (0) 1628 556001 E: cseurope@zebra.com

In the Asia Pacific region contact

Regional Headquarters	Technical Support	Customer Service
Zebra Technologies Asia Pacific Pte. Ltd. 120 Robinson Road #06-01 Parakou Building Singapore 068913 T: +65 6858 0722 F: +65 6885 0838	T: +65 6858 0722 F: +65 6885 0838 E: (China) tschina@zebra.com All other areas: tsasiapacific@zebra.com	For printers, parts, media, and ribbon, please call your distributor, or contact us. T: +65 6858 0722 F: +65 6885 0836 E: (China) order-csr@zebra.com All other areas: csasiapacific@zebra.com

Appendix E

Using zebra.com

The following examples use the search functions on Zebra's Web site for finding specific documents .

Example1: Find the iMZ Series User Guide.

Go to <http://www.zebra.com/us/en/support-downloads.html>
Select the appropriate printer in the Printer Support dropdown menu.

The screenshot shows the Zebra website's support page. The navigation bar includes 'Solutions', 'Products & Services', 'Support & Downloads', 'How To Buy', and 'Partners'. The main heading is 'SUPPORT & DOWNLOADS'. Below this, there's a sub-heading 'Printer Support' with a dropdown menu. The dropdown menu is open, showing a list of printer models: LP 2824 Desktop Printer, LP 2824 Plus Desktop Printer, LP 2824-Z Desktop Printer, LP 2844 Desktop Printer, LP 2844-Z Desktop Printer, iMZ 220 Mobile Printer, iMZ 320 Mobile Printer, P1101 Card Printer, and P1101 Card Printer. A callout box labeled 'Select Printer' points to the iMZ 320 Mobile Printer. Other sections include 'Locations Solutions Support' with a link to 'LS CUSTOMER SUPPORT PORTAL', and 'Did You Know?' with information about ZebraCare service agreements.

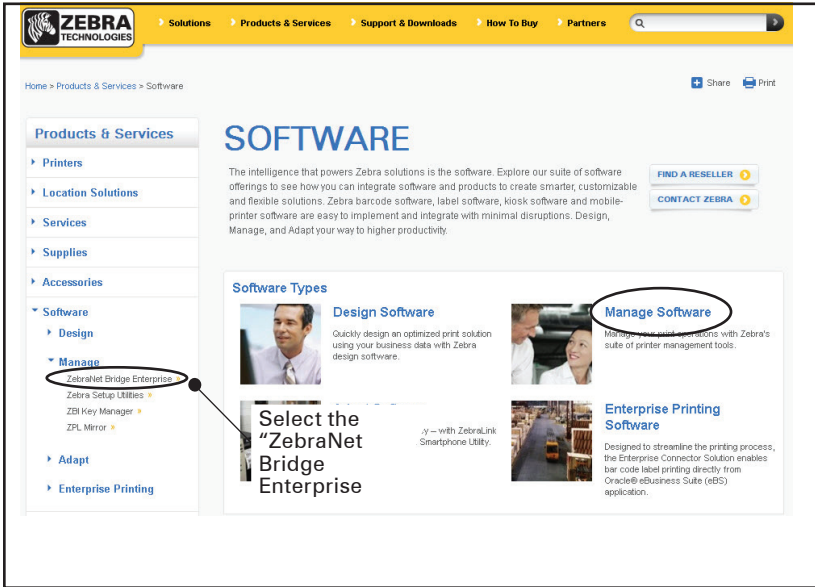
Click on the Manuals tab and select the desired language from the dropdown menu.

The screenshot shows the Zebra website's support page for the iMZ320 Mobile Printer. The main heading is 'SUPPORT FOR THE iMZ320 MOBILE PRINTER'. Below this, there's a sub-heading 'Manuals' with a dropdown menu. The dropdown menu is open, showing a list of languages: English, -No Selection-, Chinese, English, French, German, Italian, Japanese, Korean, and Portuguese. A callout box labeled 'Select language' points to the English option. Other sections include 'Technical Support Links' and 'Related Product Information'.

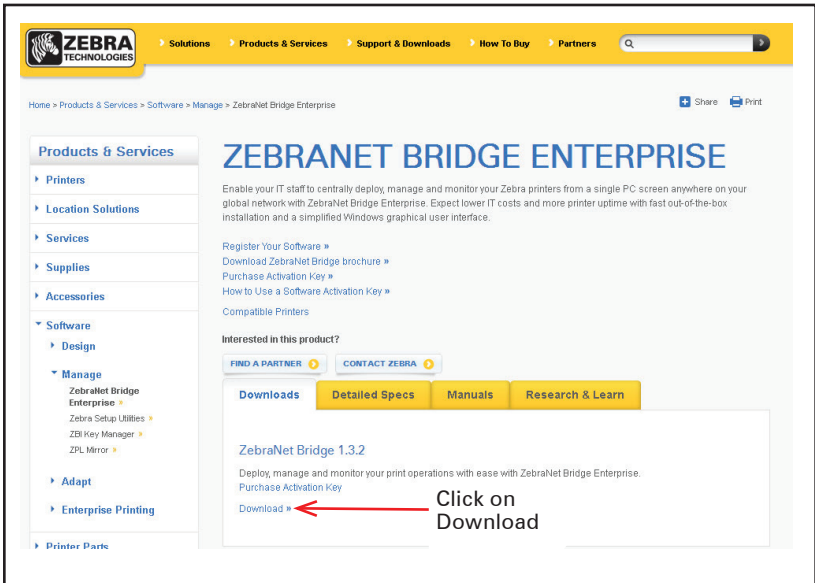
continued

Example 2: Find the ZebraNet Bridge Enterprise download page:

Go to <http://www.zebra.com/us/en/products-services/software.html> and click on Manage under Software in the Products and Services section. Or click on Manage Software where shown.



Click on "Download" in the Downloads tab where shown to access the latest software.



Index

A

- Accessories
 - Belt clip 30
 - list of 48
 - Shoulder Strap 31
- Appendix G 54

B

- Battery, charging 11
 - MZ Series Charger Power Supply 12
 - using Quad Power Station 13
- Battery, installing 9
- Battery life, tips for extending 32
- Battery, removing 10
- Bluetooth Device Address (BDA) 26
- Bluetooth™ Networking Overview 26

C

- Cable Communication 25
- Cleaning
 - general instructions 33
- Communications
 - infrared (IR) 25
 - with a cable 24
- Communications diagnostics 38
- Configuration Label
 - printing 38
 - to determine maximum label size 42

F

- Font & Barcode Specs
 - ZPL 43

I

- iMZ Series Quad Power Station 13
- Information on Back of Printer 37

L

- Label Vista
 - use in troubleshooting 38

M

- Manual
 - CPCL Programming 29
- Media
 - loading 15
 - pre-printed 16

N

- NFC Tag 8

O

- Operator Controls 18

P

- Preventive Maintenance 32
- Programming language
 - CPCL 7

R

- Radio options. ?See Wireless communications
- Resetting an iMZ Series Printer 37

S

- Safety Precautions

- placement of charger 14
- while charging battery's 14
- Software 29
- Specifications
 - Memory/communications 42
 - Physical 46
 - printing 42

T

- Technical Support, contacting 39
- Troubleshooting
 - Communications Diagnostics Mode 38
 - control panel indicators 35
- Troubleshooting tests 38
 - printing a configuration label 23,?38
 - QL configuration label example 37,?40
- Troubleshooting Topics 35

W

- Wearing the Printer 30
- Wireless communications
 - Bluetooth™ radio 26
 - Infrared (IrDA) 25
 - WLAN Overview 28

Z

- ZPL Font and Bar Code Specifications and Commands 43

Patent Numbers

This product and/or its use may be covered by one or more of the following US patents and corresponding international patents worldwide

D275,286	5,029,183	5,367,151	5,552,592	6,068,415
D347,021	5,047,617	5,372,439	5,570,123	6,068,415
D389,178	5,103,461	5,373,148	5,578,810	6,095,704
D430,199	5,113,445	5,378,882	5,589,680	6,109,801
D433,702	5,140,144	5,396,053	5,612,531	6,123,471
D549,768	5,132,709	5,396,055	5,642,666	6,147,767
3,964,673	5,142,550	5,399,846	5,657,066	6,151,037
4,019,676	5,149,950	5,408,081	5,768,991	6,201,255 B1
4,044,946	5,157,687	5,410,139	5,790,162	6,231,253 B1
4,360,798	5,168,148	5,410,140	5,791,796	6,261,009
4,369,361	5,168,149	5,412,198	5,806,993	6,261,013
4,387,297	5,180,904	5,415,482	5,813,343	6,267,521
4,460,120	5,229,591	5,418,812	5,816,718	6,270,072 B1
4,496,831	5,230,088	5,420,411	5,820,279	6,285,845 B1
4,593,186	5,235,167	5,436,440	5,848,848	6,292,595
4,607,156	5,243,655	5,444,231	5,860,753	6,296,032
4,673,805	5,247,162	5,449,891	5,872,585	6,364,550
4,736,095	5,250,791	5,449,893	5,874,980	6,379,058 B1
4,758,717	5,250,792	5,468,949	5,909,233	6,409,401 B1
4,816,660	5,262,627	5,479,000	5,976,720	6,411,397 B1
4,845,350	5,267,800	5,479,002	5,978,004	6,428,227 B2
4,896,026	5,280,163	5,479,441	5,995,128	6,530,705
4,897,532	5,280,164	5,486,057	5,997,193	6,540,122
4,923,281	5,280,498	5,503,483	6,004,053	6,607,316
4,933,538	5,304,786	5,504,322	6,010,257	6,609,844
4,992,717	5,304,788	5,528,621	6,020,906	6,874,958
5,015,833	5,321,246	5,532,469	6,034,708	6,899,477
5,017,765	5,335,170	5,543,610	6,036,383	
5,021,641	5,364,133	5,545,889	6,057,870	



www.zebra.com

Zebra Technologies Corporation

475 Half Day Road, Suite 500

Lincolnshire, IL 60069 USA

T: +1 847.634.6700 or +1 800.423.0442